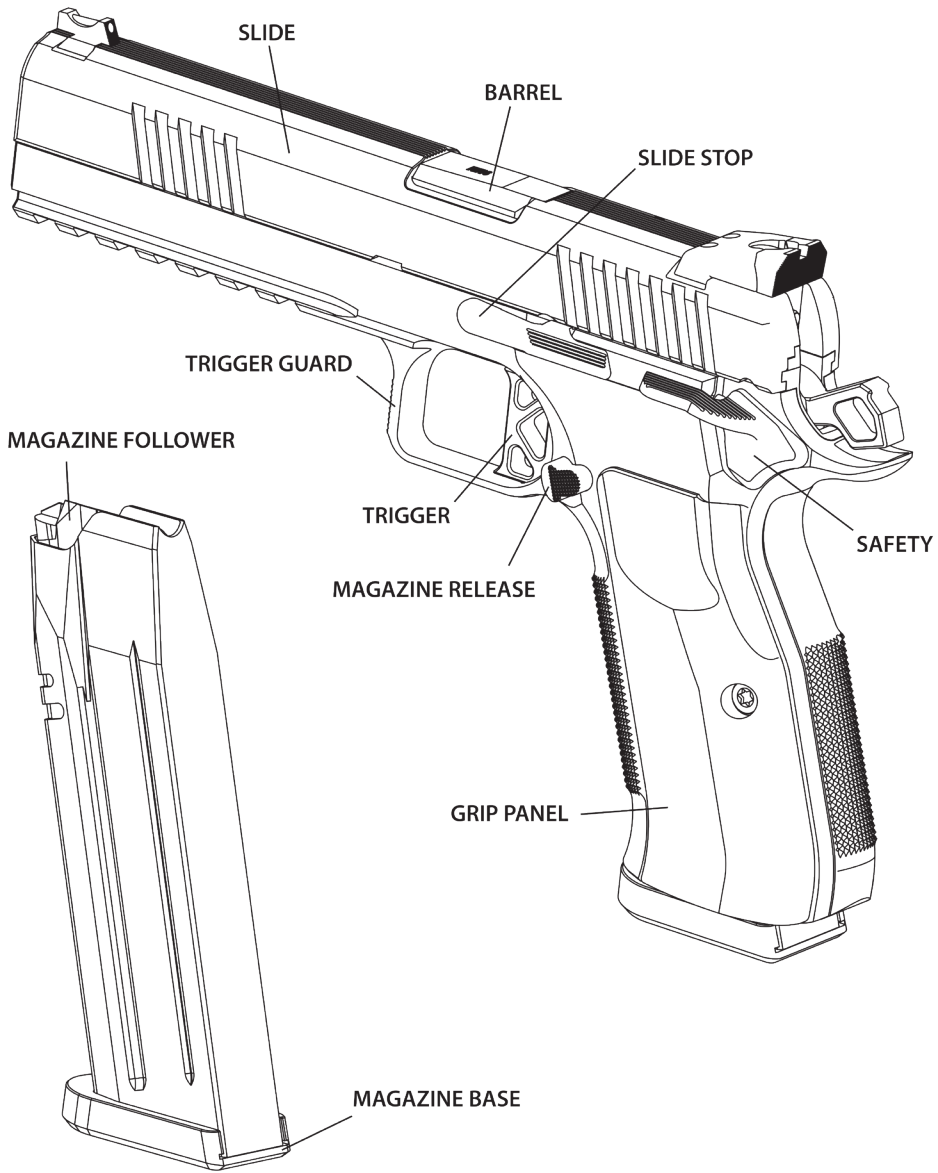




Instruction Manual



© 2019 CZ-USA, All Rights Reserved.

This manual may not be reproduced in whole or in part
without the express written permission of CZ-USA.

Before handling the firearm read this manual carefully and observe the following safety instructions.

Improper and careless handling of the firearm could result in unintentional discharge and could cause injury, death or damage to property. The same consequences can be caused by unauthorized modifications or adjustments, corrosion, or use of non-standard or damaged ammunition. In these cases the manufacturer shall not be responsible in any manner whatsoever for the resultant consequences. Before leaving the factory this firearm was tested, carefully inspected, and packed. CZ-USA cannot accept responsibility for product handling while in transit, or upon leaving the factory. Therefore, please examine this firearm carefully at the time of purchase to ensure that it is unloaded and undamaged.

This instruction manual should always accompany this firearm even in the case of the loan or sale.

CONTENTS

SAFETY INSTRUCTIONS	2
PISTOL DESCRIPTION AND TERMINOLOGY	3
Safety Features	3
MAINTENANCE INSTRUCTIONS	4
Stripping for Cleaning - Disassembly	4
Magazine Disassembly	4
OPERATING INSTRUCTIONS	5
Ammunition	5
Removal of the Magazine	5
Magazine Loading	5
Pistol Loading	5
Reloading During Shooting	5
Unloading the Pistol	5
Sight Adjustment	5
CLEANING THE PISTOL	6
Cleaning the Barrel Bore and the Cartridge Chamber	6
Cleaning of Other Pistol Parts	6
Preserving	6
Waste Management	7
TROUBLESHOOTING, CAUSES AND REMEDIES	7
WARRANTY INFORMATION	8
PARTS DIAGRAM	9
LIST OF PARTS	9
STATE WARNINGS	10
MAINTENANCE NOTES	11

CZ-USA

P.O. BOX 171073
Kansas City, KS 66117
800-955-4486

info@danwessonfirearms.com

THE BASIC RULES OF FIREARM SAFETY

1. Treat every firearm as if it were loaded. Any time you handle a firearm – especially one you believe is unloaded – open the action immediately and inspect the chamber and magazine to verify the state of the firearm. Never assume that a firearm is unloaded.

2. Always keep the muzzle pointed in a safe direction. Never let the muzzle sweep anything that you aren't willing to destroy – developing good muzzle discipline is a necessity.

3. Be sure of your target, what is behind it and what is in front of it. Not only should you be absolutely sure of your target before shooting at it, make sure that there is nothing beyond or in front of your target that may be harmed inadvertently. Also take into consideration the bullet passing through the target as well as any possibilities for ricochet, both which can alter the path of the bullet.

4. Keep your finger off the trigger until you are ready to fire.

ADDITIONAL SAFETY INSTRUCTIONS

- Always wear safety glasses and ear protection when shooting.
- Always make sure your pistol is not loaded before disassembly and/or cleaning.
- Never abuse your pistol by using it for any purpose other than shooting.
- Before loading your pistol, be sure that the bore, chamber, and action are clean and clear of obstructions. After shooting, clean the dirtied pistol as soon as possible.
- Do not shoot the pistol unless you are certain about the ammunition you are using. Do not use unmarked, hand-loaded, or ammunition from an unknown source; ammunition with a cracked, deformed or dented case or with a damaged bullet. Reloading is an expert activity and incorrectly reloaded ammunition may be extremely dangerous. It may result in heavy damage or destruction of the pistol and serious injury or death of the shooter or other persons. Always use only clean, dry, original high quality commercially-manufactured ammunition, which is appropriate to the caliber of your pistol.
- Never drink alcoholic beverages or take drugs before or during shooting.
- Always keep clear and keep others clear of the ejection port.
- Never shoot at a hard surface such as rock, or a liquid surface such as water.
- Never fire your pistol near an animal unless it is trained to accept the noise.
- Never indulge in “horseplay” while handling firearms.
- Failure to fire: In case of failure to fire hold the firearm keeping it pointed towards the target, or a safe open area and wait 30 seconds. If a hangfire (slow ignition) has occurred, the cartridge will fire within 30 seconds. If the cartridge does not fire, eject the cartridge and examine it. If the firing pin indent on the cartridge is light, or non-existent, have the firearm examined by a competent gunsmith.
- Be aware of local laws pertaining to the safe storage of firearms and ammunition.
- Always verify that your firearm is completely unloaded before installing a locking device. While locking devices are an important aid to security measures, they are not a substitute for safe firearm handling and proper storage.
- Always protect ammunition from sources of heat and open flame.
- Alteration of the firearm from its factory form can negatively affect its safety and function. It is the owner's responsibility to ensure that any modifications are done properly — improper fitting of parts may result in a dangerous malfunction, damage to the firearm and serious injury to the shooter and other persons.
- Always be aware that corrosion, use of damaged ammunition, dropping the pistol on hard surfaces or other “coarse treatment” could cause damage you may not see. If something like this happens allow the pistol to be examined and tested by a competent gunsmith.
- Shooting or cleaning guns or handling ammunition may expose you to lead and other substances known to the State of California to cause birth defects, reproductive harm and other serious physical injury. Have adequate ventilation at all times and wash hands thoroughly after exposure.

PISTOL DESCRIPTION AND TERMINOLOGY

The names of the basic parts of the DWX are presented on the inside front cover. For a more comprehensive list of parts, see the section titled List of Parts on Page 9.

The Dan Wesson DWX is a single-action only semi-automatic handgun designed primarily for competition use. Incorporating a short-recoil system, it utilizes the locked breech principle. Being a single-action handgun, it requires the hammer to be in the cocked position in order to be fired. This occurs automatically when a round is chambered, either by the user upon loading or by the operations of the pistol when it is fired and a subsequent round is present in the magazine.

The DWX utilizes a 70 series 1911-style fire control group and does not incorporate a firing pin block. Combining the 1911-style ignition system with the greater capacity and ergonomics of the CZ grip geometries and magazine platforms as well as bushingless tilt barrel of the CZ P-09, the DWX is the perfect melding of Dan Wesson and CZ.

Characteristic features of the DWX are:

- Comfortable grip inspired by the CZ 75 design
- Natural grip angle that enables good results with instinctive shooting
- Crisp SA trigger pull (3.5-4 .5lbs.)
- Railed models have a MIL-STD-1913 rail
- High degree of accuracy
- Long service life
- Available sighting options for competition and defensive uses
- High reliability with a wide range of factory-loaded ammunition
- Last round hold-open when the ammunition in the magazine has been expended
- Reversible magazine release

Standard pistols are supplied with:

- 2 magazines
- Instruction manual
- Padlock

Break-In

Dan Wesson pistols are built to very tight tolerances and may require some break-in. Lubrication and cleaning is key during break-in. Use generous amounts of recommended lubricants (Page 6) and field strip, clean and re-oil every 50 rounds. Factory ball ammunition should be used and a pistol can be considered competition/combat-ready after 300-500 rounds and then can be used with hollow-point ammunition. Due to the tight fitment of slide and barrel, it is not uncommon to see a slide that is sluggish to return to battery during the break-in procedure. If this persists, please contact Dan Wesson.

Safety Features

Trigger guard- Helps prevent unintentional contact with the trigger.

Manual thumb safety- Mechanical device that helps prevent an unintended discharge of the pistol. Under proper operation, the pistol will not fire with the safety engaged. The manual safety also locks the slide.

Safety stop on hammer- Employed when manually cocking the hammer, this safety is also known as the half-cock hammer notch. Were the hammer to slip out of the user's grip before fully cocked, the half-cock notch is there to catch it, preventing the hammer from striking the firing pin.

MAINTENANCE INSTRUCTIONS

Stripping for Cleaning - Disassembly

1. Remove the magazine by pushing the magazine catch located on the grip module.
2. Clear the chamber by pulling the slide to the rear.
3. Inspect the chamber and confirm that no cartridge is present and that the chamber is empty.
4. Place the hammer on the half-cock notch and pull the slide back until it lightly contacts the hammer. While maintaining this retracted slide position, put pressure on the exposed portion of the slide stop located on the right side of the grip module until you are able to remove the slide stop from the left side of the grip module. Included tool may be used to push on the protruding end of the slide stop.
Note: The half-moon cut/disassembly notch on the left hand side of the slide can be used as a visual reference point when removing the slide stop.
5. Remove the slide assembly from the handgun frame by sliding it forward off the frame rails while maintaining a firm grip on the grip assembly.
6. Turn the slide assembly upside down and locate the recoil spring assembly
7. Compress the guide rod assembly slightly and tilt it upward to remove it from the slide assembly.
NOTE: The recoil spring is under tension, take precaution to ensure it does not escape during removal.
8. Guide rod may be removed from recoil spring for cleaning.
9. Remove the barrel by gripping it by the lug and lifting the rear of the barrel out of the slide, which will allow the muzzle end to slip out of the front of the slide.

The firearm is now successfully field stripped for regular cleaning and maintenance.

Reassembly

1. Insert muzzle of barrel into the front of the slide through the channel in the bottom of the slide, tilting the barrel into the slide and seating it fully against the breechface.
2. Insert the guide rod into the recoil spring to create the recoil spring assembly.
3. Insert recoil spring into slide underneath the barrel, seating the front of the spring into its pocket at the front of the slide. The guide rod should face rearward. Compress recoil spring assembly slightly, catching it on the front of the barrel lug and securing it in the slide assembly.
4. Place the hammer into the half-cock position on the frame.
5. Align slide with the rails in the frame, drawing slide rearwards over the rails until the rear of the slide lightly contacts the hammer at half-cock.
6. Insert slide stop pin from left to right, fully seating it and securing the slide to the frame.
7. Cycle the pistol manually several times to ensure that the slide is properly installed.

Magazine Disassembly

Depending on magazine base design there are several disassembly methods possible.

- If there is a hole in the magazine base, use an instrument to depress the base lock through the hole in the magazine base and slide the base slightly forward.
- If the rear part of the magazine is fitted with a sliding base lock, move it into disassembly position and slide the base slightly forward.

In either case, cover the base with your thumb to hold the spring and use the other hand to slide the base completely out of its guiding rails. Wear eye protection as during the disassembly the spring can fly out, possibly causing an injury.

CAUTION: No further disassembly of your pistol is recommended. Any adjustment or repair should be entrusted to a competent gunsmith!

OPERATING INSTRUCTIONS

Ammunition

Always use factory-loaded ammunition which is in compliance with standards applicable for ammunition manufacturers and is approved by the CIP (Permanent International Commission for Firearms Testing) or SAAMI (Sporting Arms and Ammunition Manufacturers' Institute Inc. of the United States). The use of other cartridges could damage the handgun or cause injury to the shooter. When using factory-loaded ammunition with standard speed, the use of firearms produced by Dan Wesson Firearms is safe. Check the ammunition you are going to use to make sure that it corresponds to the caliber of your firearm. Commercially produced ammunition is clearly marked with the caliber on the bottom or around the bottom of each cartridge case.

Removal of the Magazine

The pistol is equipped with a magazine catch. Grip the pistol in your hand and using your thumb depress the magazine catch. The magazine disengages and falls out of the frame.

Magazine Loading

With the open end uppermost, grasp the magazine in one hand. Place a cartridge on the magazine follower. Press the cartridge down and back until it touches the rear flat edge of the magazine. Place the next cartridge on top of the previous cartridge and press down and back. We recommend that when some cartridges are already loaded in the magazine, depress them slightly with the thumb of the hand which holds the magazine. The number of cartridges can be checked through the inspection holes. Do not try to exceed the magazine capacity - doing so can cause a feeding failure.

Pistol Loading

Always make sure the pistol is pointed in a safe direction when loading! Insert a loaded magazine and ensure that it has engaged the magazine catch. Hold the pistol by the grip with one hand, and with the thumb and index finger grasp the serrated finger grips on both sides of the slide. Retract the slide to the stop and allow it to snap forward. This procedure precocks the firing mechanism and inserts a cartridge into the chamber. The pistol is now ready to fire.

Reloading During Shooting

When the last cartridge has been fired the slide will stay to the rear. Remove the emptied magazine and replace it with a loaded one. Thumb down the slide stop with the shooting hand, or with the other hand draw back the slide and allow it to snap forward. The pistol is again loaded and ready to fire.

Unloading the Pistol

ALWAYS MAKE SURE THE PISTOL IS POINTED IN A SAFE DIRECTION! Remove the magazine and draw back the slide to verify the last cartridge has been extracted from the chamber and ejected. Let the slide snap fully forward and depress the trigger (dry fire).

Sight Adjustment

The pistol sights were sighted in at the manufacturer at a distance of 15 m so that the mean point of impact approximately conforms to the point of aim. Windage correction can be carried out by the drifting of the rear sight in the dovetail and then secured in its position by screw. For vertical adjustment, some models are equipped with a height-adjustable rear sight. For models without this style of sight, vertical point of impact adjustment is performed by swapping out the front sight for a sight of a differing height.

CLEANING THE PISTOL

When to clean the pistol:

- Weekly if pistol is carried regularly
- As soon as possible after each use
- If the firearm gets wet
- At least once a year in a temperate climate or as often as once a month in a tropical climate or other demanding environment

Cleaning the Barrel Bore and the Cartridge Chamber

Note that cleaning rods and brushes should always be inserted into the barrel from the chamber to prevent damage to the muzzle. Pass the brush all the way through the barrel bore before reversing the movement. If you change directions with the brush in the barrel, the brush could stick.

If the pistol has not been fired or if only a few cartridges have been fired, clean the barrel bore and cartridge chamber with a clean patch attached to a cleaning rod. Repeat the cleaning, changing patches, until the last patch comes out clean.

When the barrel bore is very dirty, apply a quality firearms CLP (Cleaner, Lubricant, Protectant) using a cleaning brush. Let the solvent act for about 10 minutes (this time may vary depending on the degree of fouling and the solvent). Then thoroughly scrub out the barrel bore. Subsequently, dry the barrel bore and cartridge chamber with a clean patch and check that all powder residues or fouling have been removed. If necessary repeat this procedure.

Note: The Dan Wesson Duty Finish can be discolored by some solvents. Kroil is recommended.

Cleaning of Other Pistol Parts

Other parts of the pistol (including the external surfaces of the barrel) should be cleaned with a cleaning brush and a dry cloth. A quality oil can be used for proper cleaning. Never use an agent specifically designed for barrel bore cleaning! These solutions could remain in the joints, and after some time could cause corrosion. Check that cloth particles or brush bristles have not become lodged in any part of the pistol.

Oils recommended for Dan Wesson pistols are FP-10, Militec-1, Mil-Comm TW25B Grease and Weapon Shield. Oils not recommended are Rem Oil, Breakfree, Hoppe's Elite Gun Oil, Slip 2000 and various other thin oils or grease.

Preserving

When the barrel's bore, chamber, and all other accessible parts of the firearm are clean and dry, apply a thin film of oil via a cloth. Place several drops of oil:

- Around the exterior of the barrel 1/4" back from the muzzle
- At the locking surface where the front of the barrel hood locks into the slide when the firearm is in battery (above the chamber on the barrel)
- On each of the rails within the frame

Remove excess oil from the exterior of the firearm, leaving a thin film over the entire pistol. Before shooting, always wipe the barrel bore dry. Firing a firearm with oil, grease or any other material even partially obstructing the bore may result in damage to the firearm and serious injury to the shooter and those nearby. For use in extremely low temperatures, remove the oil from all accessible parts of the firearm or apply a lubricant prepared especially for these conditions.

Waste Management

When used properly, the materials used in the product and packaging have no adverse effects on human health or the environment. When disposing of the product or its packaging, metal parts (steel and non-ferrous metals), plastics, wood, paper and cardboard should be stored separately in collecting containers intended specifically for that purpose.

TROUBLESHOOTING, CAUSES AND REMEDIES

If your pistol is properly used and maintained, malfunctions will rarely occur. However, if such a situation does occur, please observe the following instructions.

Malfunction	Possible Cause	Remedy
A cartridge did not feed properly into the chamber or the slide has not fully locked with the barrel	Magazine is not fully inserted or is damaged. The pistol or cartridges are fouled (dirty), too heavily greased or of poor quality.	Do not force the ammunition into the chamber and discard any damaged ammunition. Insert magazine properly or change magazine. Do not force the ammunition into the chamber and discard any damaged ammunition. Clean the pistol and cartridges and wipe them dry. In case of poor quality ammo, replace with quality factory ammunition.
Misfire	Defective cartridge. Firing pin hole fouled (dirty) or improper lubrication agent used under low temperature conditions.	Cock the hammer and pull the trigger again. If a discharge is not initiated, follow the Additional Safety Instructions (found on page 2). Disassemble and clean the firing pin or use a low temperature lubricant.
A shot sounds "weak" combined with failure to eject the cartridge case	The cartridge has been activated but no powder load was inside the cartridge case.	Unload the pistol and check that the bullet is not lodged in the barrel. A subsequent shot could cause serious damage to the firearm and/or serious injury to the shooter and/or bystanders.
The spent case has not been ejected	Cartridge chamber, extractor or ammunition dirty, or unsuitable lubricant in low temperature environment. Limp wristing of the firearm.	Clean and wipe the pistol dry or lubricate lightly with a suitable agent. Use new and clean ammunition. Grip pistol firmly and lock wrist when firing.

CAUTION - If a malfunction occurs, the possibility of unintentional discharge is substantially increased. For this reason, carefully observe the firearms safety rules already mentioned. Keep the pistol pointed in a safe direction and do not place your hands in front of the barrel!

If you cannot clear away any malfunction in the manner described above or the pistol is damaged due to rough handling or a fall, entrust the pistol to a competent gunsmith for inspection and repair.

Limited Five Year Warranty

All CZ-USA firearms are warranted to be free from defects in material and workmanship for one (1) year on wooden parts and surface treatment and five (5) years on other parts. This warranty is granted by CZ-USA, P.O. Box 171073, Kansas City, KS 66117-0073 to the original purchaser of the firearm. **Under no circumstances shall CZ-USA be responsible for incidental or consequential damages with respect to economic loss or injury to property, whether as a result of breach of expressed or implied warranty, negligence or otherwise.** Some states do not allow the exclusion of incidental or consequential damages, so above limitation may not apply to you. CZ-USA will not be responsible for the results of careless handling; unauthorized adjustments; defective, low quality, reloaded or improper ammunition; corrosion; neglect; ordinary wear and tear or unreasonable use. Furthermore, the liability of CZ-USA under this warranty shall be limited solely to the obligation to replace or repair the firearm and to pay the related transportation charge from the facility of CZ-USA. This warranty gives you specific legal rights, and you may also have other rights which vary from state to state.

PLEASE NOTE: Handguns and long guns are classified as FIREARMS or DANGEROUS WEAPONS. Guns are surrendered to CZ-USA with the express understanding that it assumes no responsibility for pre-sale handling under local laws and restrictions.

YOUR SALES RECEIPT SERVES AS YOUR PROOF OF OWNERSHIP FOR WARRANTY PURPOSES. A COPY OF THIS WILL BE REQUIRED IN THE EVENT WARRANTY REPAIR WORK IS NEEDED IN THE FUTURE.

Dan Wesson Warranty Center

For all Dan Wesson brand pistols and revolvers please call
1-607-336-1174 or email dwservice@cz-usa.com

If you qualify for a warranty/custom/paid repair work, the service center will issue a **Return Authorization** number.

The **Return Authorization** number must appear on the package in **BOLD** lettering.

Include a copy of your original sales receipt or ATF Form 4473. In lieu of the previously mentioned items, the warranty period will be based on the original date of sale from CZ-USA to the FFL dealer.

Include a detailed explanation of the issue along with your name, phone number, email and a physical address.

(NO P.O. BOXES PLEASE)

The firearm must be unloaded and properly packaged and must be sent through a carrier that can provide a tracking number. CZ-USA will not be held responsible for packages lost or damaged in transit.

FAILURE TO COMPLY WITH THESE REQUIREMENTS WILL RESULT IN THE REFUSAL OF YOUR PACKAGE.

For your record-keeping purposes:

Model _____	Purchase Date _____
Caliber _____	Dealer Sold By _____
Serial Number _____	_____

STATE WARNINGS

California: ⚠️ WARNING “Firearms must be handled responsibly and securely stored to prevent access by children and other unauthorized users. California has strict laws pertaining to firearms, and you may be fined or imprisoned if you fail to comply with them. Visit the Web site of the California Attorney General at <https://oag.ca.gov/firearms> for information on firearm laws applicable to you and how you can comply. Prevent child access by always keeping guns locked away and unloaded when not in use. If you keep a loaded firearm where a child obtains and improperly uses it, you may be fined or sent to prison.”

⚠️ ADVERTENCIA “Las armas de fuego deben manipularse de manera responsable y segura para evitar el acceso de niños y otros usuarios no autorizados. California tiene leyes estrictas relacionadas con armas de fuego, y usted puede ser multado o encarcelado si no las cumple. Visite el sitio web del Procurador General de California en <https://oag.ca.gov/firearms> para obtener información sobre las leyes de armas de fuego que le son aplicables y cómo puede cumplirlas. A los niños los atraen las armas de fuego y las pueden hacer funcionar. Ellos pueden causarse lesiones graves y la muerte. Evite que los niños tengan acceso a las armas de fuego guardándolas siempre con llave y descargadas cuando no las esté utilizando. Si usted tiene un arma de fuego cargada en un lugar en que un niño tiene acceso a ella y la usa indebidamente, le pueden dar una multa o enviarlo a la cárcel.”

Connecticut: UNLAWFUL STORAGE OF A LOADED FIREARM MAY RESULT IN IMPRISONMENT OR FINE.

Florida: IT IS UNLAWFUL, AND PUNISHABLE BY IMPRISONMENT AND FINE, FOR ANY ADULT TO STORE OR LEAVE A FIREARM IN ANY PLACE WITHIN THE REACH OR EASY ACCESS OF A MINOR UNDER 18 YEARS OF AGE OR TO KNOWINGLY SELL OR OTHERWISE TRANSFER OWNERSHIP OR POSSESSION OF A FIREARM TO A MINOR OR A PERSON OF UNSOUND MIND.

Guam: IT IS UNLAWFUL AND PUNISHABLE BY IMPRISONMENT AND A FINE FOR ANY ADULT TO STORE OR LEAVE A FIREARM WITHOUT PLACING IT IN A SECURE LOCKED CABINET OR CLOSET, OR WITHOUT A TRIGGER LOCK IN PLACE.

Maine: ENDANGERING THE WELFARE OF A CHILD IS A CRIME. IF YOU LEAVE A FIREARM AND AMMUNITION WITHIN EASY ACCESS OF A CHILD, YOU MAY BE SUBJECT TO FINE, IMPRISONMENT OR BOTH. KEEP FIREARMS AND AMMUNITION SEPARATE. KEEP FIREARMS AND AMMUNITION LOCKED UP. USE TRIGGER LOCKS

Maryland: WARNING: Children can operate firearms which may cause death or serious injury. It is a crime to store or leave a loaded firearm in any location where an individual knew or should have known that an unsupervised minor would gain access to the firearm. Store your firearm responsibly!

Massachusetts: WARNING FROM THE MASSACHUSETTS ATTORNEY GENERAL: This handgun is not equipped with a device that fully blocks use by unauthorized users. More than 200,000 firearms like this one are stolen from their owners every year in the United States. In addition, there are more than a thousand suicides each year by younger children and teenagers who get access to firearms. Hundreds more die from accidental discharge. It is likely that many more children sustain serious wounds, or inflict such wounds accidentally on others. In order to limit the chance of such misuse, it is imperative that you keep this weapon locked in a secure place and take other steps necessary to limit the possibility of theft or accident. Failure to take reasonable preventive steps may result in innocent lives being lost, and in some circumstances may result in your liability for these deaths.

IT IS UNLAWFUL TO STORE OR KEEP A FIREARM, RIFLE, SHOTGUN OR MACHINE GUN IN ANY PLACE UNLESS THAT WEAPON IS EQUIPPED WITH A TAMPERRESISTANT SAFETY DEVICE OR IS STORED OR KEPT IN A SECURELY LOCKED CONTAINER.

Minnesota: IT IS UNLAWFUL TO STORE OR LEAVE A LOADED FIREARM WHERE A CHILD CAN OBTAIN ACCESS.

New Hampshire: IT IS IMPORTANT THAT THE OWNER OF A FIREARM SEEK FIREARM SAFETY INSTRUCTIONS FROM A CERTIFIED FIREARMS INSTRUCTOR AND KEEP FIREARMS SECURED FROM UNAUTHORIZED USE.

New Jersey: IT IS A CRIMINAL OFFENSE, PUNISHABLE BY A FINE AND IMPRISONMENT, FOR AN ADULT TO LEAVE A LOADED FIREARM WITHIN EASY ACCESS OF A MINOR.

New York: THE USE OF A LOCKING DEVICE OR SAFETY LOCK IS ONLY ONE ASPECT OF RESPONSIBLE FIREARM STORAGE. FOR INCREASED SAFETY, FIREARMS SHOULD BE STORED UNLOADED AND LOCKED IN A LOCATION THAT IS BOTH SEPARATE FROM THEIR AMMUNITION AND INACCESSIBLE TO CHILDREN AND UNAUTHORIZED PERSONS.

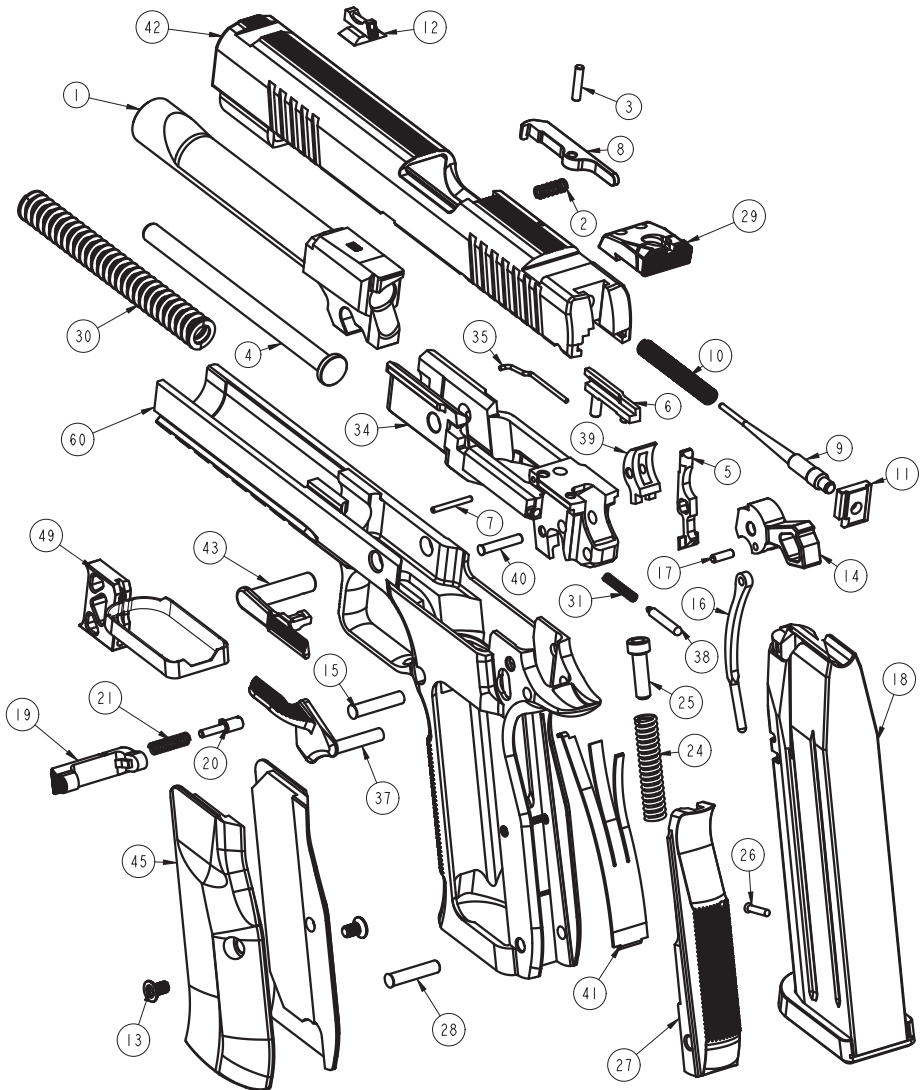
North Carolina: IT IS UNLAWFUL TO STORE OR LEAVE A FIREARM THAT CAN BE DISCHARGED IN A MANNER THAT A REASONABLE PERSON SHOULD KNOW IS ACCESSIBLE TO A MINOR.

Puerto Rico: The use of a locking device or safety lock on a firearm is advisable. Every loaded weapon as well as its ammunition must be kept out of the reach of minors or person who are not authorized to use them. It is advisable to keep your weapons apart from the ammunition.

Texas: IT IS UNLAWFUL TO STORE, TRANSPORT, OR ABANDON AN UNSECURED FIREARM IN A PLACE WHERE CHILDREN ARE LIKELY TO BE AND CAN OBTAIN ACCESS TO THE FIREARM.

Wisconsin: IF YOU LEAVE A LOADED FIREARM WITHIN THE REACH OR EASY ACCESS OF A CHILD YOU MAY BE FINED OR IMPRISONED OR BOTH IF THE CHILD IMPROPERLY DISCHARGES, POSSESSES, OR EXHIBITS THE FIREARM.

PARTS DIAGRAM



LIST OF PARTS

- | | | | | | |
|----|-------------------|----|-------------------------|----|---------------------|
| 1 | Barrel | 15 | Hammer Pin | 31 | Plunger Spring |
| 2 | Extractor Spring | 16 | Hammer Strut | 34 | Chassis |
| 3 | Extractor Pin | 17 | Hammer Strut Pin | 35 | Slide Stop Spring |
| 4 | DWX Guide Rod | 18 | Magazine Assembly | 37 | Safety Lock |
| 5 | Disconnect | 19 | Magazine Catch | 38 | Safety Lock Plunger |
| 6 | Ejector | 20 | Magazine Catch Lock | 39 | Sear |
| 7 | Ejector Pin | 21 | Magazine Catch Spring | 40 | Sear Pin |
| 8 | Extractor | 24 | Main Spring | 41 | Sear Spring |
| 9 | Firing Pin | 25 | Main Spring Cap | 42 | Slide |
| 10 | Firing Pin Spring | 26 | Main Spring Cap Pin | 43 | Slide Stop |
| 11 | Firing Pin Stop | 27 | Main Spring Housing | 45 | Slide Panels |
| 12 | Front Sight | 28 | Main Spring Housing Pin | 49 | Trigger Assembly |
| 13 | Grip Screws (2) | 29 | Rear Sight | 60 | Grip Module |
| 14 | Hammer | 30 | Recoil Spring | | |



Dan Wesson Firearms

P.O. BOX 171073

Kansas City, KS 66117

800-955-4486

info@danwessonfirearms.com

danwessonfirearms.com